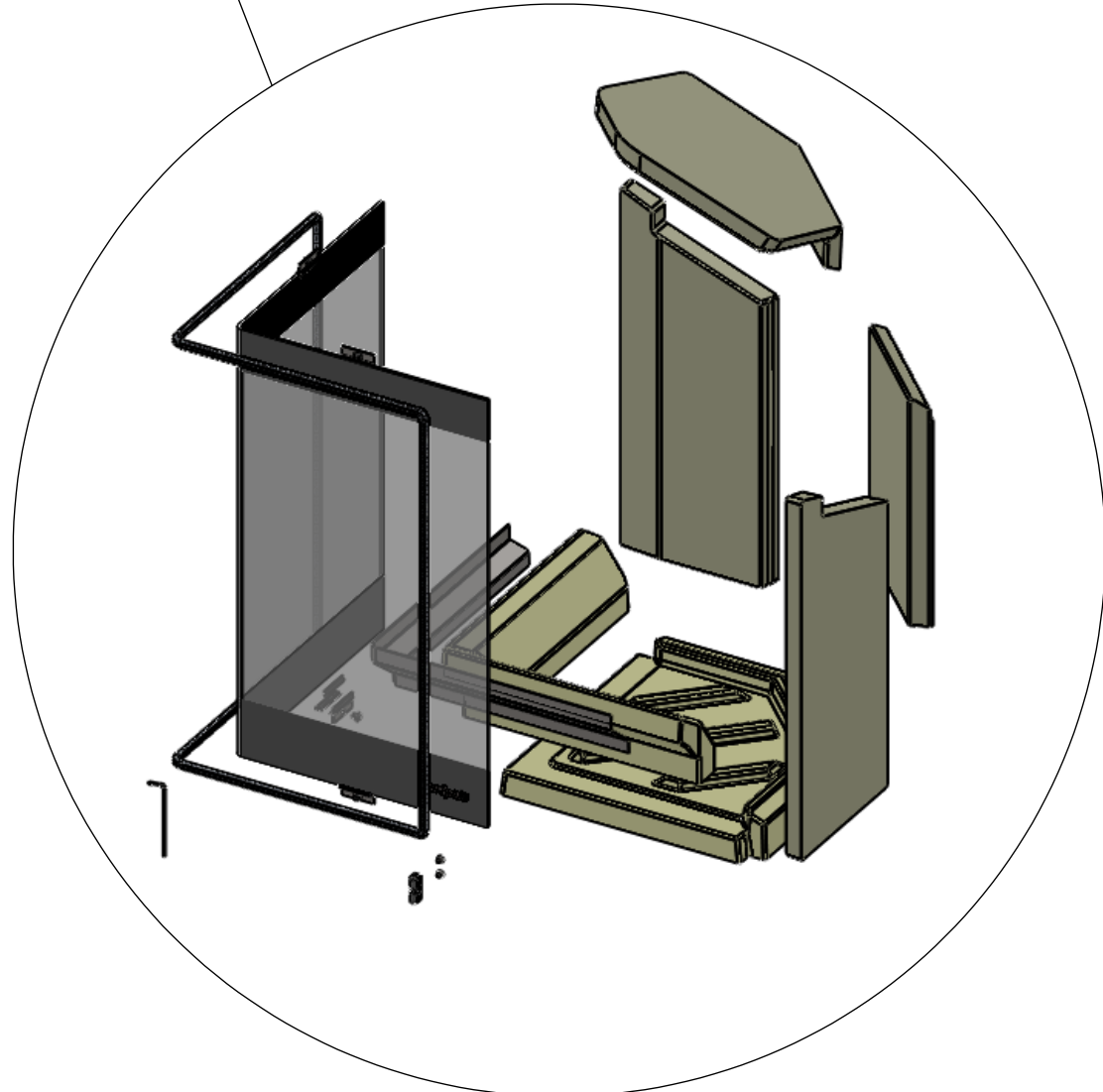
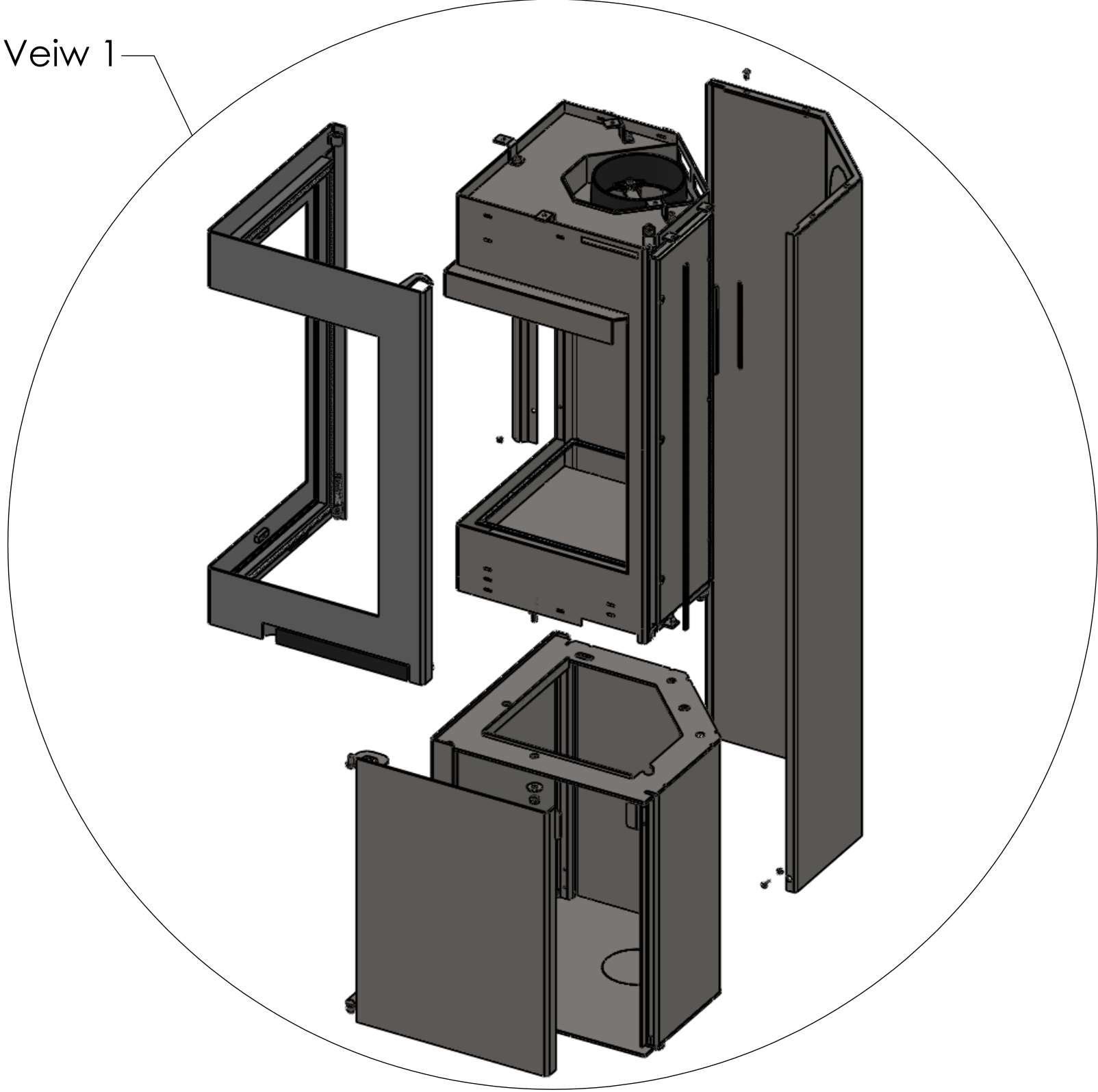


View 2

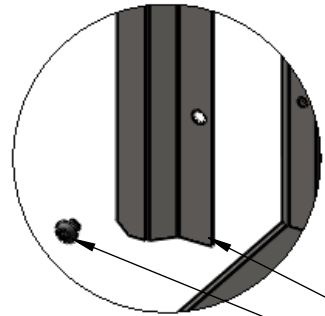


View 1



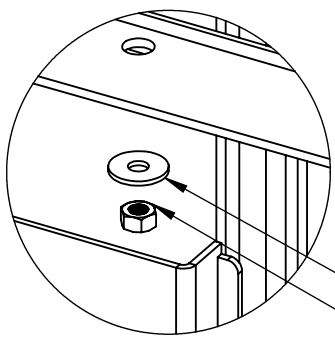
This document is Nordpeis (Nordpeis Sp. z o.o.) exclusive intellectual property. It must be treated as strictly confidential and must not be copied or communicated to any third person without Nordpeis (Nordpeis Sp. z o.o.) written permission.

	Revision note: Add fire tape 10x3mm. into combustion chamber, between the bottom Thermote and the body	Revision by: P.Żabiński	Date: 08.07.2014	Material:	Format: A3
	Name: Quadro 2 Base - stove - View 1,2	Created by: P.Żabiński	Date: 20.03.2014	Weight (kg.): 105.40	Scale: 1:8
Nordpeis AS Gjellebekkstubben 11 N-3420 LIERSKOGEN, Norway	Checked by: T.Ziótkowski	Date: 09.07.2014	Replace:	Sheet: 1 of 6	
Quadro	Approved by: Ł.Kęsy	Date: 09.07.2014	Part number: SN-QUADR-120	Revision: Q2	



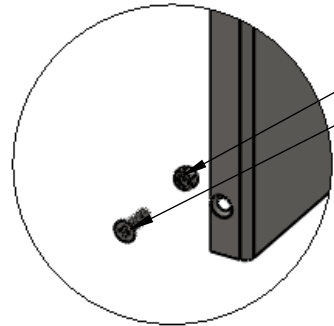
DETAIL A  
SCALE 1 : 3

- 22-QUADR-370 Heat radiation sheet QD
- 21-30001-056 Screw M5x6 ISO 7380 - 3 pcs.



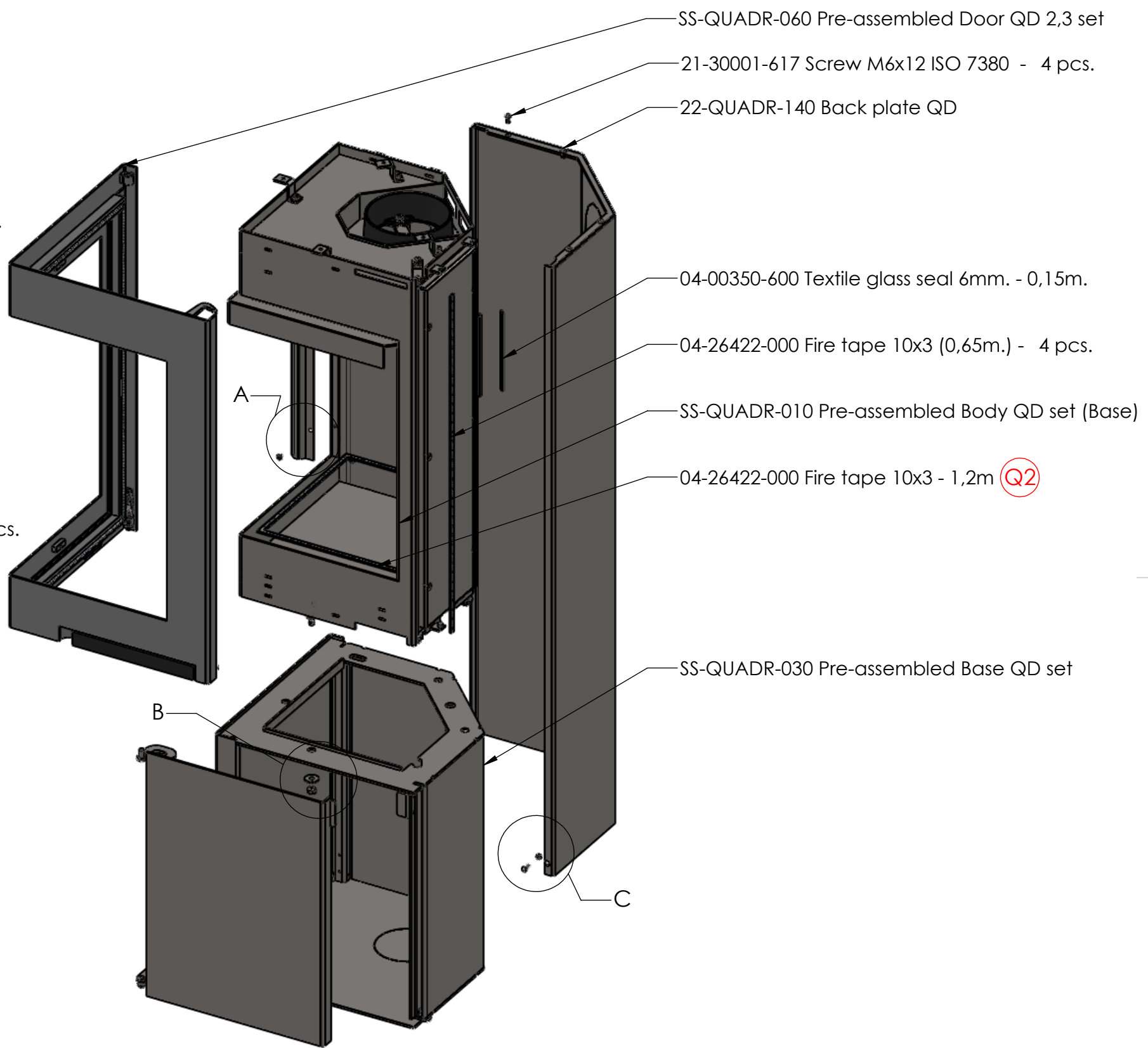
DETAIL B  
SCALE 1 : 3

- 21-50000-022 Washer fi8x24 Din 9021 - 4 pcs.
- 21-00000-008 Nut M8 Din 934 - 4 pcs.



DETAIL C  
SCALE 1 : 3

- 21-00001-005 Lock nut M5 DIN 980V
- 21-40005-016 Screw M5x16 Din 965 A2

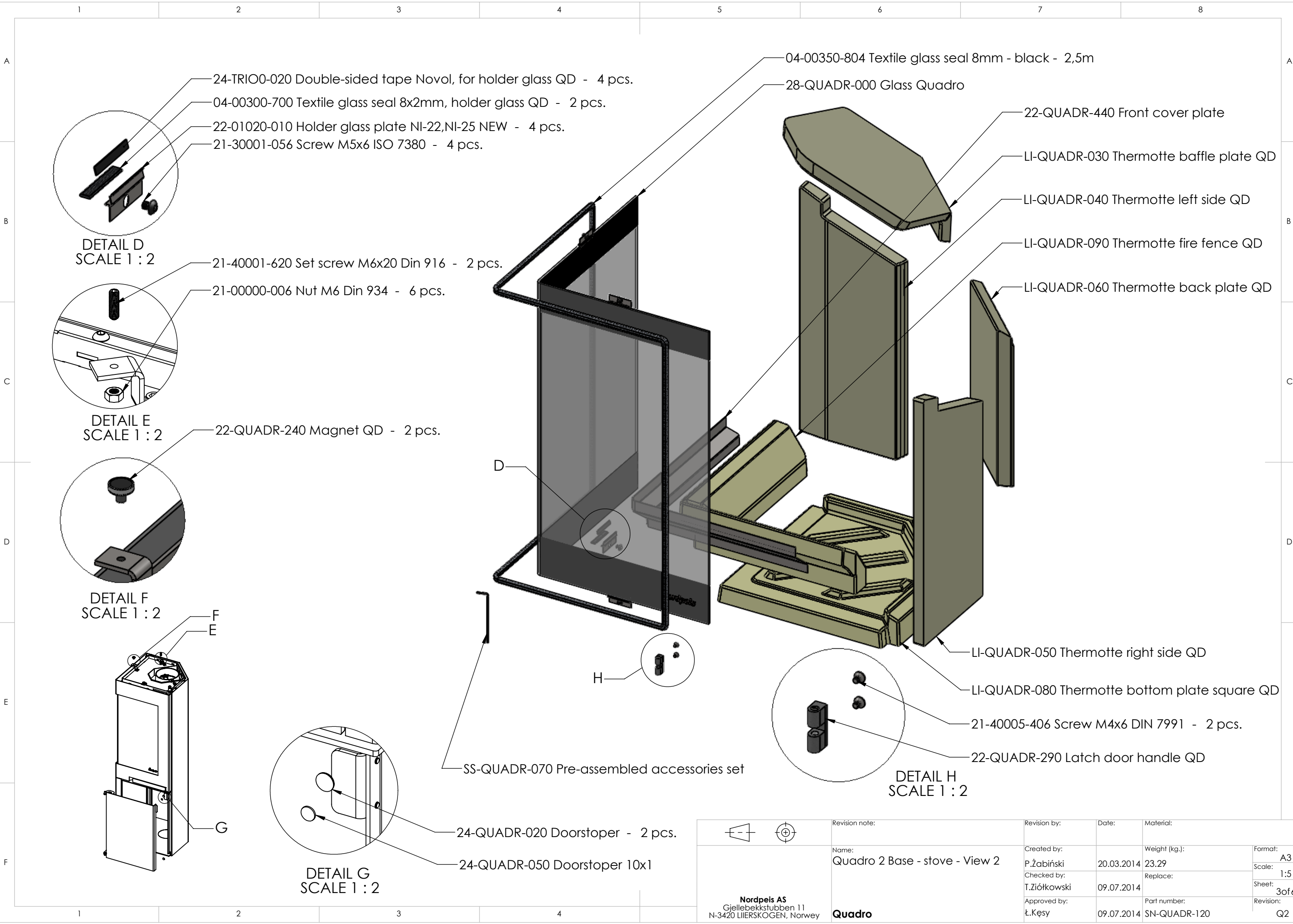


- SS-QUADR-060 Pre-assembled Door QD 2,3 set
- 21-30001-617 Screw M6x12 ISO 7380 - 4 pcs.
- 22-QUADR-140 Back plate QD
- 04-00350-600 Textile glass seal 6mm. - 0,15m.
- 04-26422-000 Fire tape 10x3 (0,65m.) - 4 pcs.
- SS-QUADR-010 Pre-assembled Body QD set (Base)
- 04-26422-000 Fire tape 10x3 - 1,2m (Q2)
- SS-QUADR-030 Pre-assembled Base QD set

This document is Nordpeis (Nordpeis Sp. z o.o.) exclusive intellectual property. It must be treated as strictly confidential and must not be copied or communicated to any third person without Nordpeis (Nordpeis Sp. z o.o.) written permission

	Revision note: Add fire tape 10x3mm. into combustion chamber, between the bottom Thermote and the body	Revision by: P.Żabiński	Date: 08.07.2014	Material:	
	Name: Quadro 2 Base - stove - View 1	Created by: P.Żabiński	20.03.2014	Weight (kg.): 82.11	Format: A3
		Checked by: T.Ziótkowski	09.07.2014	Replace:	Scale: 1:8
		Approved by: Ł.Keşy	09.07.2014	Part number: SN-QUADR-120	Sheet: 2 of 6
					Revision: Q2

This document is Nordpeis AS's confidential intellectual property. It must be treated as strictly confidential and must not be copied or communicated to any third person without Nordpeis AS's written permission.



- 24-TRIO0-020 Double-sided tape Novol, for holder glass QD - 4 pcs.
- 04-00300-700 Textile glass seal 8x2mm, holder glass QD - 2 pcs.
- 22-01020-010 Holder glass plate NI-22,NI-25 NEW - 4 pcs.
- 21-30001-056 Screw M5x6 ISO 7380 - 4 pcs.

- 04-00350-804 Textile glass seal 8mm - black - 2,5m
- 28-QUADR-000 Glass Quadro
- 22-QUADR-440 Front cover plate
- LI-QUADR-030 Thermotte baffle plate QD
- LI-QUADR-040 Thermotte left side QD
- LI-QUADR-090 Thermotte fire fence QD
- LI-QUADR-060 Thermotte back plate QD

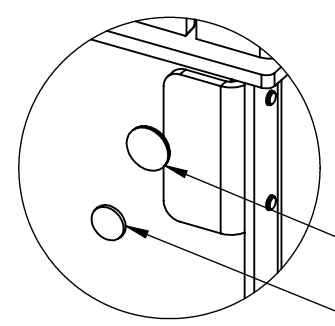
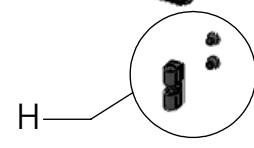
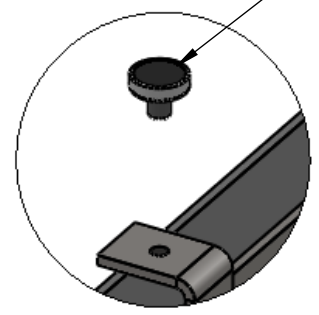
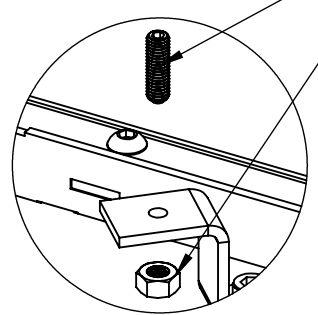
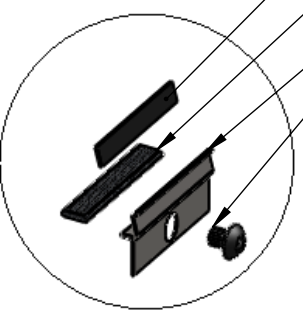
- 21-40001-620 Set screw M6x20 Din 916 - 2 pcs.
- 21-00000-006 Nut M6 Din 934 - 6 pcs.

- 22-QUADR-240 Magnet QD - 2 pcs.

- LI-QUADR-050 Thermotte right side QD
- LI-QUADR-080 Thermotte bottom plate square QD
- 21-40005-406 Screw M4x6 DIN 7991 - 2 pcs.
- 22-QUADR-290 Latch door handle QD

SS-QUADR-070 Pre-assembled accessories set

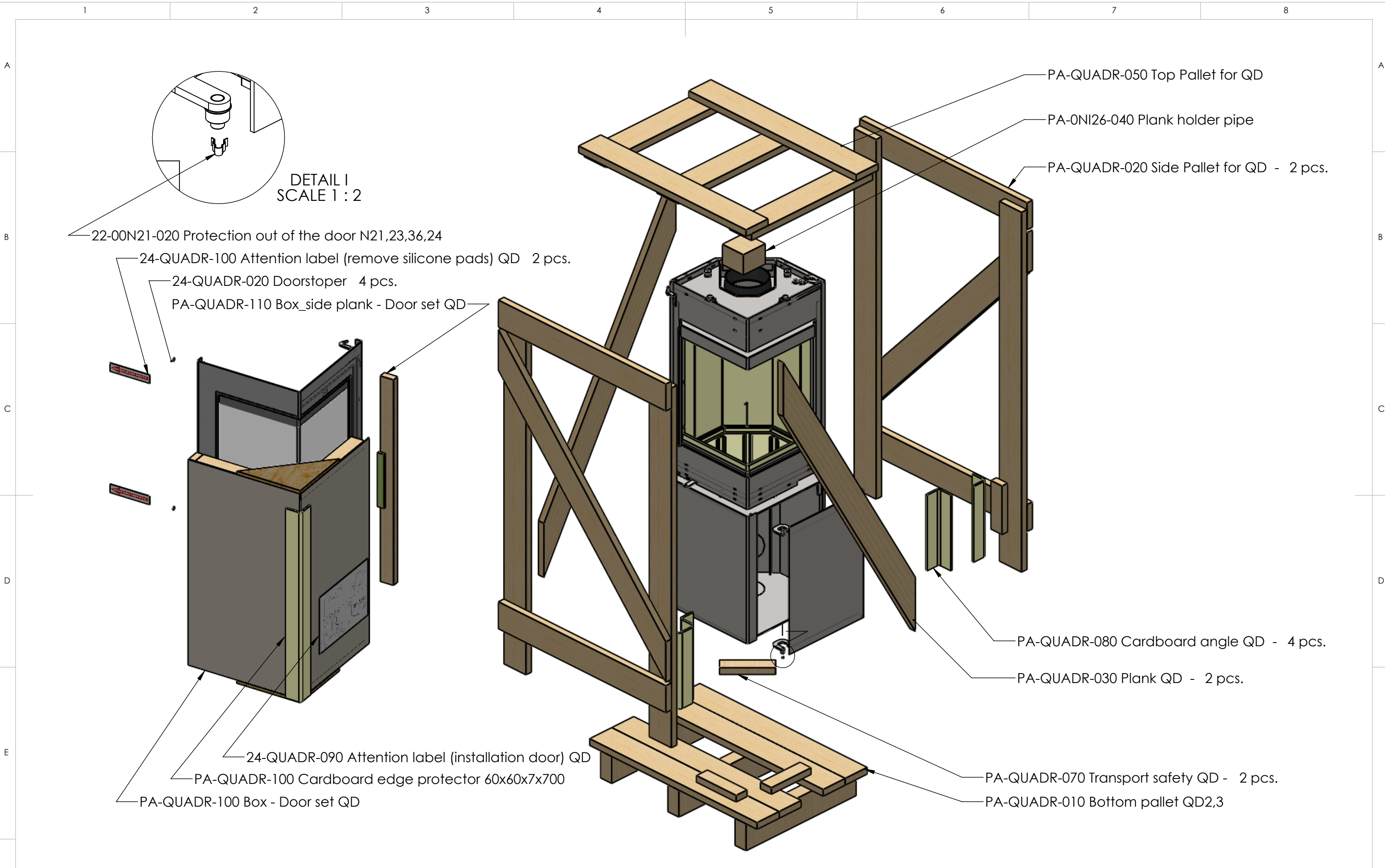
- 24-QUADR-020 Doorstoper - 2 pcs.
- 24-QUADR-050 Doorstoper 10x1



	Revision note:	Revision by:	Date:	Material:	Format:
	Name: Quadro 2 Base - stove - View 2	Created by: P.Żabiński	20.03.2014	Weight (kg.): 23.29	A3
<b>Nordpeis AS</b> Gjellebekkstubben 11 N-3420 LIERSKOGEN, Norway <b>Quadro</b>	Checked by: T.Ziótkowski	09.07.2014	Replace:	Scale: 1:5	
	Approved by: Ł.Keşy	09.07.2014	Part number: SN-QUADR-120	Sheet: 3 of 6	
				Revision: Q2	

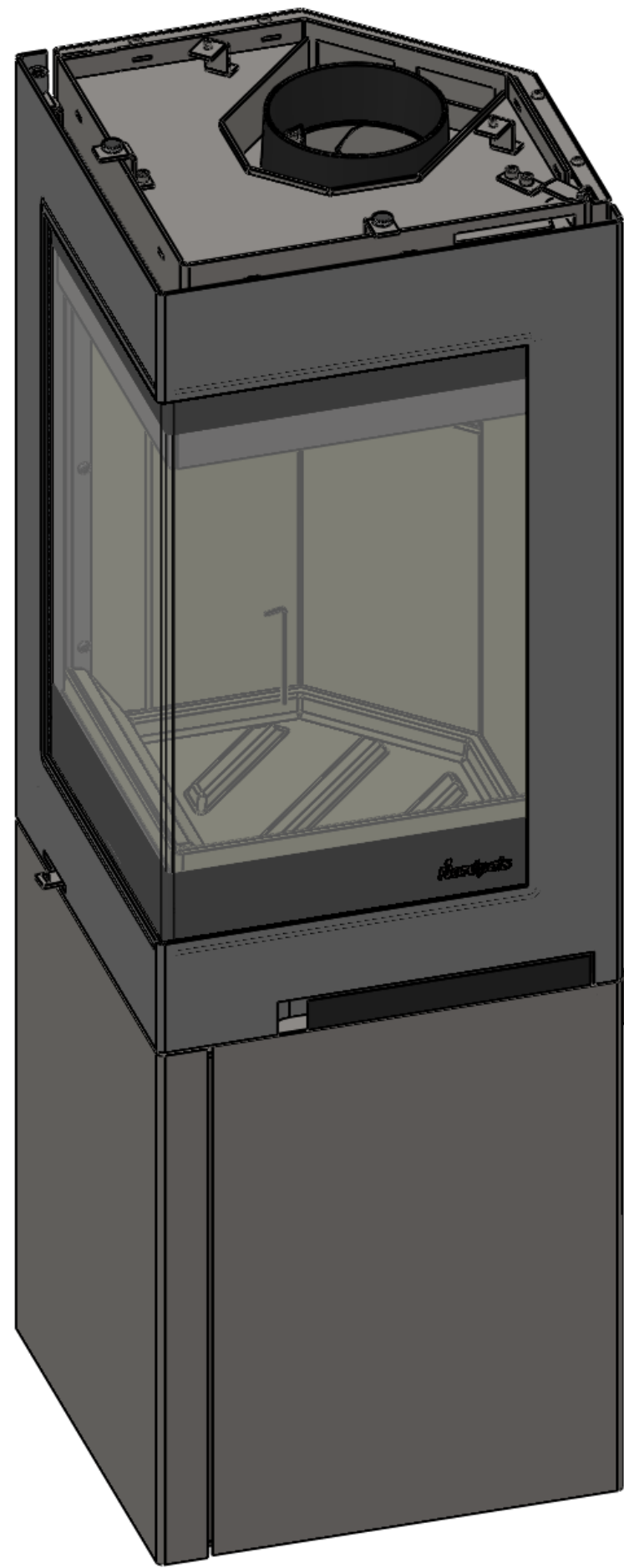


This document is Nordpeis (Nordstar Sp. z o.o.) exclusive intellectual property. It must be treated as strictly confidential and must not be copied or communicated to any third person without Nordpeis (Nordstar Sp. z o.o.) written permission



	Revision note: Remove: 24-QUADR-060 Warning label QD	Revision by: P.Żabiński	Date: 30-05-2014	Material:	
	Name: Quadro 2 Base - stove - Packaging	Created by: P.Żabiński	20.03.2014	Weight (kg.): 129.54	Format: A3
<p><b>Nordpeis AS</b> Gjellebekkstubben 11 N-3420 LIERSKOGEN, Norway</p> <p><b>Quadro</b></p>	Checked by: T.Ziótkowski	09.07.2014	Replace:	Sheet: 4 of 6	
	Approved by: Ł.Keşy	09.07.2014	Part number: SN-QUADR-120	Revision: Q2	

This document is Nordpeis AS's confidential intellectual property. It must be treated as strictly confidential and must not be copied or communicated to any third person without Nordpeis AS's written permission.



Q2

NUMBER	ELEMENT	MATERIAL	QUANTITY	VIEW 1	VIEW 2	QUANTITY	UNIT	REMARK
50	04-26422-000 Fire tape 10x3, body_bottom QD	Fire tape	1	1	-	1	pcs	
49	PA-QUADR-010 Bottom Pallet for QD		1	-	-	-	pcs	
48	PA-QUADR-110 Box_side plank - Door set QD		1	-	-	-	pcs	
47	PA-QUADR-100 Box - Door set QD		1	-	-	-	pcs	
46	24-QUADR-100 Attention label (remove silicone pads) QD	Electrostatic film	2	-	-	-	pcs	
45	24-QUADR-090 Attention label (installation door) QD	Label	1	-	-	-	pcs	
44	22-00N21-020 Protection out of the door N21,23,36,24	Spring steel	1	-	-	-	pcs	
43	PA-QUADR-080 Cardboard angle QD		4	-	-	-	pcs	
42	PA-QUADR-030 Plank QD		2	-	-	-	pcs	
41	PA-QUADR-070 Transport safety QD		2	-	-	-	pcs	
40	PA-QUADR-050 Top Pallet for QD		1	-	-	-	pcs	
39	PA-0N126-040 Plank holder pipe	Pine	1	-	-	-	pcs	
38	PA-QUADR-020 Side Pallet for QD		2	-	-	-	pcs	
37	PA-QUADR-100 Cardboard edge protector 60x60x7x700	Cardboard	1	-	-	-	pcs	
36	22-QUADR-440 Front cover plate	Carbon steel	1	-	1	1	pcs	
35	SS-QUADR-070 Pre-assembled accessories set		1	-	1	1	pcs	
34	21-00001-005 Lock nut M5 DIN 980V		1	1	-	1	pcs	
33	22-QUADR-290 Latch door handle QD		1	-	1	1	pcs	
32	04-00300-700 Textile glass seal 8x2mm, holder glass QD	Fire tape	2	-	2	2	pcs	
31	21-30001-056 Screw M5x6 ISO 7380		7	3	4	7	pcs	
30	22-QUADR-370 Heat radiation sheet QD	Stainless steel	1	1	-	1	pcs	
29	SS-QUADR-060 Pre-assembled Door QD 2,3 set		1	1	-	1	pcs	
28	04-00350-600 Textile glass seal 6mm - 0,47 m	Fire tape	1	1	-	1	pcs	
27	04-00350-600 Textile glass seal 6mm - 0,51 m	Fire tape	1	1	-	1	pcs	
26	04-00350-600 Textile glass seal 6mm - 0,1 m	Fire tape	1	1	-	1	pcs	
25	04-00350-600 Textile glass seal 6mm. - 0,15m.	Fire tape	1	1	-	1	pcs	
24	04-26422-000 Fire tape 10x3 (0,65m.) -	Fire tape	4	4	-	4	pcs	
23	21-50000-022 Washer fi8x24 Din 9021		4	4	-	4	pcs	
22	LI-QUADR-080 Thermotte bottom plate square QD	Thermotte	1	-	1	1	pcs	
21	22-01020-010 Holder glass plate NI-22,NI-25 NEW	EN 10088-1 X5CrNi18-10	4	-	4	4	pcs	
20	04-00350-804 Textile glass seal 8mm - black, glass QD	Fire tape	1	-	1	1	mb	
19	24-QUADR-050 Doorstoper 10x1	Nylon 101	1	-	1	1	pcs	
18	SS-QUADR-030 Pre-assembled Base QD set		1	1	-	1	pcs	
17	SS-QUADR-010 Pre-assembled Body QD set		1	1	-	1	pcs	
16	LI-QUADR-090 Thermotte fire fence QD	Thermotte	1	-	1	1	pcs	
15	LI-QUADR-060 Thermotte back plate QD	Thermotte	1	-	1	1	pcs	
14	LI-QUADR-050 Thermotte right side QD	Thermotte	1	-	1	1	pcs	
13	LI-QUADR-040 Thermotte left side QD	Thermotte	1	-	1	1	pcs	
12	LI-QUADR-030 Thermotte baffle plate QD	Thermotte	1	-	1	1	pcs	
11	28-QUADR-000 Glass Quadro	Ceramic glass	1	-	1	1	pcs	
10	24-TRIOO-020 Double-sided tape Novol	Double-sided tape	4	-	4	4	pcs	
9	24-QUADR-020 Doorstoper	Nylon 101	4	-	2	2	pcs	
8	22-QUADR-240 Magnet QD	Magnes alloy	2	-	2	2	pcs	
7	22-QUADR-140 Back plate QD	Carbon steel	1	1	-	1	pcs	
6	21-40005-406 Screw M4x6 DIN 7991		2	-	2	2	pcs	
5	21-40005-016 Screw M5x16 Din 965 A2		1	1	-	1	pcs	
4	21-40001-620 Set screw M6x20 Din 916		2	-	2	2	pcs	
3	21-30001-617 Screw M6x12 ISO 7380		4	4	-	4	pcs	
2	21-00000-008 Nut M8 Din 934		4	4	-	4	pcs	
1	21-00000-006 Nut M6 Din 934		2	-	2	2	pcs	

	Revision note: Add position no 50. Fire tape 1,2m.	Revision by: P.Żabiński	Date: 08.07.2014	Material:	
	Name: <b>Quadro 2 Base - stove - Part list</b>	Created by: P.Żabiński	20.03.2014	Weight (kg.): 105.40	Format: A3
<p style="text-align: center;"><b>Nordpeis AS</b> Gjellebekkstubben 11 N-3420 LIERSKOGEN, Norway</p>	Checked by: T.Ziótkowski	09.07.2014	Replace:	Scale: 1:5	Sheet: 5 of 6
	Approved by: Ł.Keşy	09.07.2014	Part number: SN-QUADR-120	Revision: Q2	

A

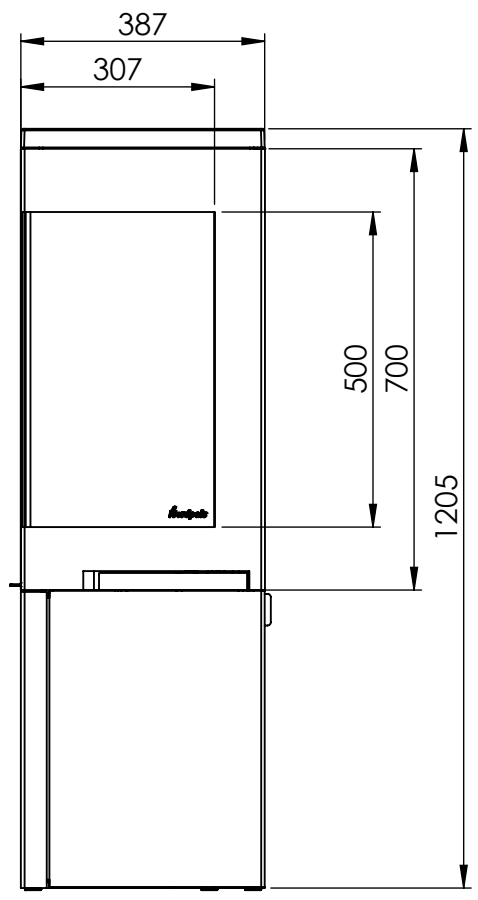
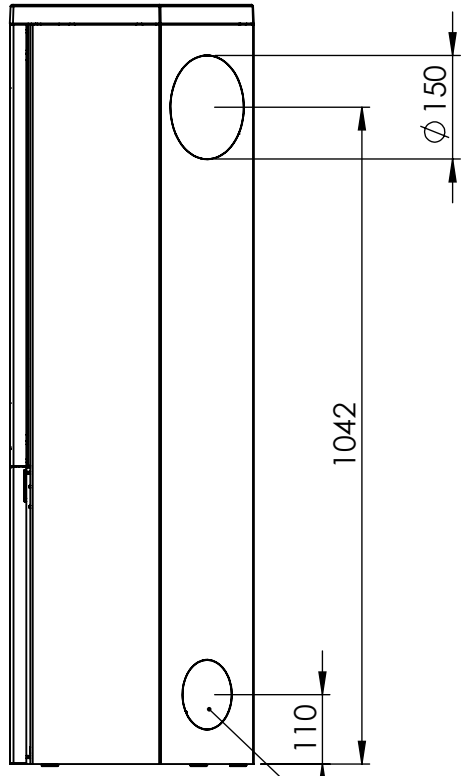
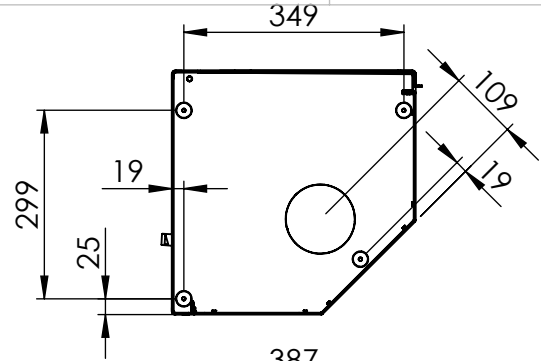
B

C

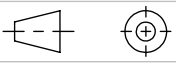
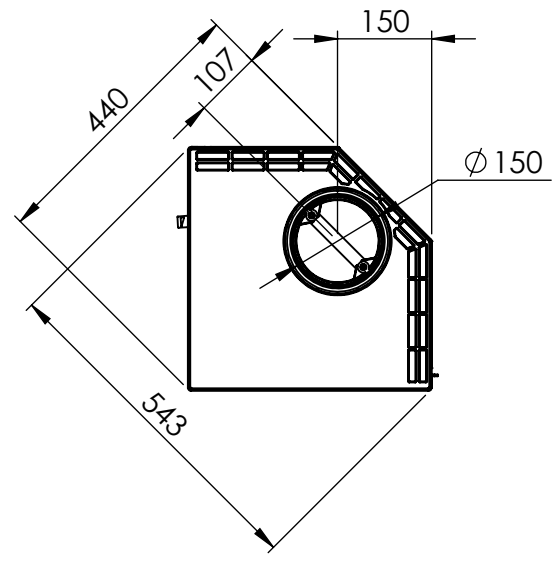
D

E

F



Air inlet fi100



Revision note:	Revision by:	Date:	Material:
Name: <b>Quadro 2 Base - stove - Dimension</b>	Created by: P. Żabiński	20.03.2014	Weight (kg.): 112.67
	Checked by: T. Ziótkowski	09.07.2014	Replace:
	Approved by: Ł. Kęsy	09.07.2014	Part number: SN-QUADR-120
			Format: A4
			Scale: 1:12
			Sheet: 6 of 6
			Revision: Q2

**Nordpeis AS**  
Gjellebekkstubben 11  
N-3420 LIERSKOGEN, Norway

**Quadro**

This document is Nordpeis (Nordstar Sp. z o.o.) exclusive intellectual property. It must be treated as strictly confidential and must not be copied or communicated to any third person without Nordpeis (Nordstar Sp. z o.o.) written permission.