

# Quadro 1, 2 & S-31A Insert

## Smoke Control Kit

Additional Installation and User Instructions  
for use in Smoke Control Areas



These instructions for fitting and operating the Smoke Control kit must be read in conjunction with the following product Installation Instructions.

Quadro:  
PM1084 Issue 1 (03.09.2012)

S-31A Insert:  
PM1089 Issue 1 (15.01.2013)



PM1068 Issue 1 (July 2014)

## 1. General

These instructions apply to the Quadro products when fitted with a Smoke Control kit.

NOTE: This appliance has been independently tested to PD6434 and has been exempt from the controls that generally apply in smoke control areas hence are considered suitable for use in Smoke Control Area when burning wood and ONLY when fitted with the relevant Smoke Control kit detailed below.

Appliance	Smoke control kit Part No.
Quadro 1	NP-QUADROSZKIT
Quadro 2	NP-QUADROSZKIT
S-31A Insert	NP-QUADROSZKIT

To meet the Smoke Control requirement this appliance must be operated correctly in order to minimise the amount of smoke produced.

Burn dry wood only.

These instructions must be left with the user and kept with the original instructions which they now supersede.

## 2. Recommended Fuels

### Wood Logs:

Burn only seasoned timber with a moisture content of less than 20%. To ensure this, allow cut wood to dry for 12 to 18 months.

Poor quality timber:

- Causes low combustion efficiency.
- Produces harmful condensation.
- Reduces effectiveness of the air control and life of the appliance.

Do not burn construction timber, painted, impregnated / treated wood, manufactured board products or pallet wood.

## 3. Lighting

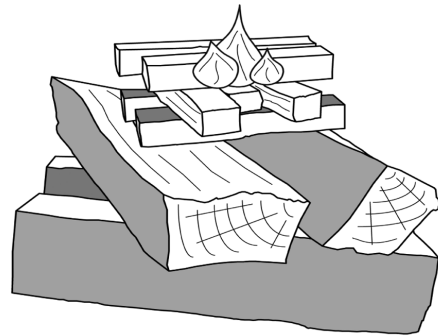
You can check whether the flue has enough draught by lighting a ball of paper above the baffle plate. A cold flue often does not have enough draught and consequently, some smoke may escape into the room instead of up the chimney. By lighting the fire in the way described here, you can avoid this problem.

Stack two layers of logs crosswise.

Recommended Log Size	
Length	30cm x 10cm diameter (max)
Quantity	1.4kg (2 logs)

Stack two layers of kindling crosswise on top of the logs.

Place a firelighter cube in the lower layer of kindling and light the cube according to the instructions on the packaging.

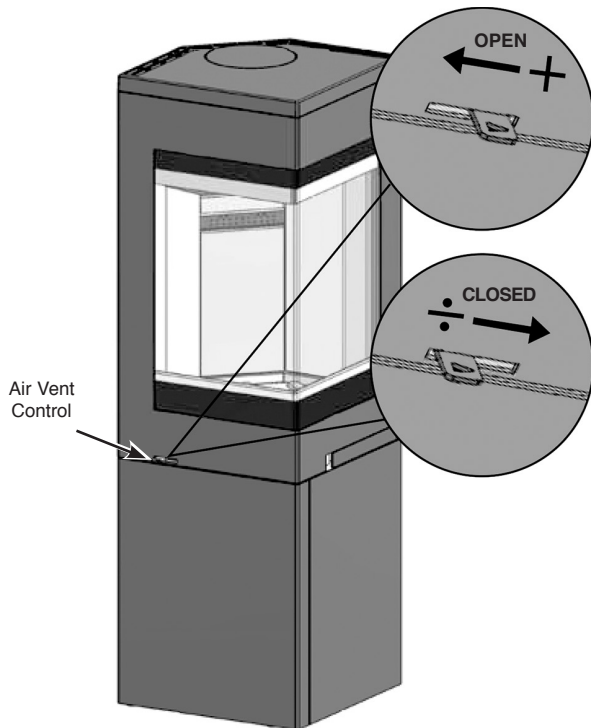


Close the door of the appliance and open the air vent control; see the diagram over page. Additional ignition air can be obtained by leaving the door open slightly. When the flames are stable and the chimney warm close the door, or overheating can occur, which is not covered by the warranty.

The air supply can then be regulated with the air vent control.

Let this fire develop into a good blaze until there is glowing bed of charcoal. You can then add fuel and adjust the appliance, see the notes on refuelling the appliance.

## Air Controls



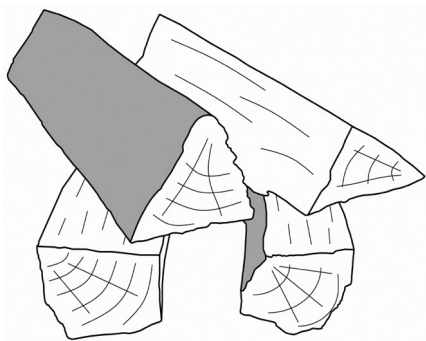
## 4. Refuelling the Appliance

Open the air vent control fully and burn for a few minutes before refuelling.

**Rake the embers evenly over the fire bed to establish a glowing firebed.**

**If the fire bed is low add a small amount of kindling wood to help re-establish the fire and prevent excess smoke.**

### Open stacking



Open stacking allows oxygen to easily reach every part of the fire.

## Compact stacking



Compact stacking will make the wood burn slower as wood can only reach the outside of the fire. This will cause the fire to smoulder and produce smoke.

**Do not fill to more than 1/3 capacity.**

### Refuelling on to a low fire bed:

If there is insufficient burning material in the firebed to light a new fuel charge, excessive smoke emission can occur. Refuelling must be carried out onto a sufficient quantity of glowing embers and ash that the new fuel charge will ignite in a reasonable period. If there are too few embers in the fire bed, add suitable kindling to prevent excessive smoke.

### Fuel overloading

The maximum amount of fuel specified in this manual should not be exceeded, overloading can cause excess smoke.

### After refuelling:

**Burn the new logs at high output for approximately 5 minutes before adjusting the burn rate using the air vent control.**

**Do not close the air control until the fire is burning well.**

**If the fire subsides when the air control is closed, re-open the air vent control to re-establish the flames.**

Experience establishes settings to suit personal preferences.

**Do not burn large amounts of fuel with the air vent control closed for long periods of time.** This reduces the glass cleaning effect and causes tars and creosotes to build-up in the appliance and flue system and will produce excessive amounts of smoke.

When in use, burning the appliance at high output for a short period also reduces tars and creosote.

### When running the appliance:

**Refuel little and often for clean, efficient burning.**

Wood burns best on a bed of ash.

**A bright and clean firebox indicates the appliance is burning well.**

## 5. Controlling the air

The appliance has one air control.

Forwards position = open.

Backwards position = closed.

## 5. Advice

**Never burn wood with an open door.**

If you frequently have low intensity fires, tar and creosote may be deposited in the chimney. Tar and creosote are highly combustible substances. Thicker layers of these substances might catch fire when the temperature in the chimney increases suddenly and steeply. Therefore it is necessary for the fire to regularly burn at a high output for short periods, so that layers of tar and creosote disappear.

Low intensity fires also cause tar deposits on the appliance window and door.

When the outside temperature is not very low, it is better to burn wood intensely for a few hours instead of having a low intensity fire for a long period of time.

Control the heat output with the air vent control.

The air vent control not only supplies air to the fire but to the glass as well, so that it does not get dirty so quickly.

Open the air vent control for a time if the air supply is inadequate or if you want to boost the fire.

**Do not use the appliance continuously with the air vent control fully open.**

It is better to add a small amount of logs regularly than to add many logs at the same time.

## 6. Extinguishing the fire

Do not add fuel and just let the fire go out. If a fire is damped down by reducing the supply of air, harmful substances will be produced and released. Therefore, let the fire go out naturally. Keep an eye on the fire until it is gone out. If the fire has died completely, all air inlets can be closed.

## These instructions cover the fitting of the Smoke Control Kit

### 1. Parts List

Appliance	Smoke control kit Part No.
Quadro 1	NP-QUADROSZKIT
Quadro 2	NP-QUADROSZKIT
S-31A Insert	NP-QUADROSZKIT

Kit contents:

1 x Smoke Control Stop

### 2. Smoke Control Kit - Fitting Instructions

Tools required: 5mm Hex Key.

To make this appliance exempt from the controls that govern smoke control areas the air vent control must be modified.

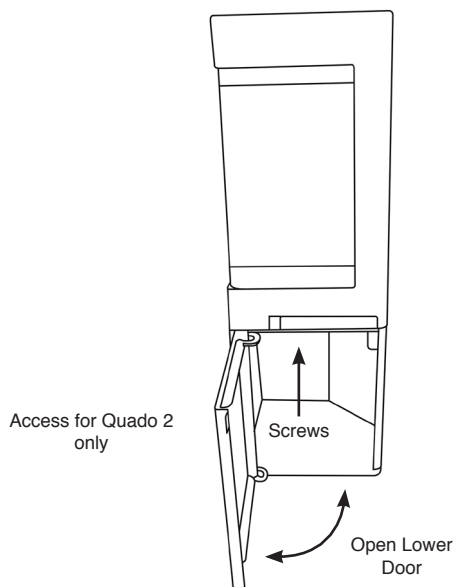
Fitting the Smoke Control Kit requires access to the underside of the firebox.

#### Quadro 1

The underside of the firebox is accessible from the side of the pedestal.

#### Quadro 2

Pull open the lower door to access the underside of the firebox.



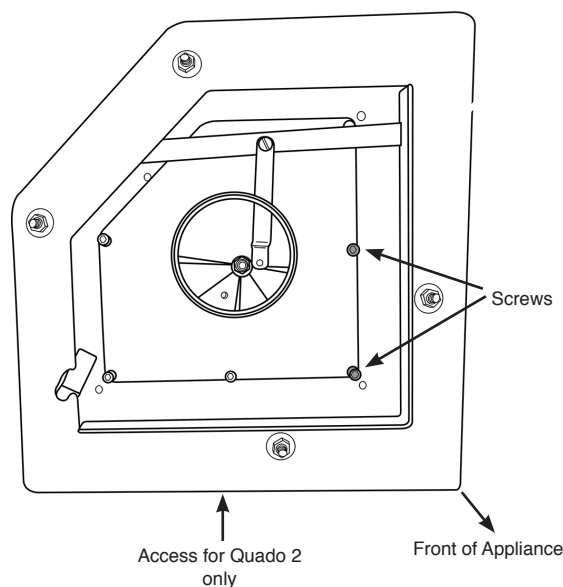
#### S-31A

The Smoke Control stop must be fitted to the appliance before installation into a surround. The underside of the firebox is not accessible after installation.

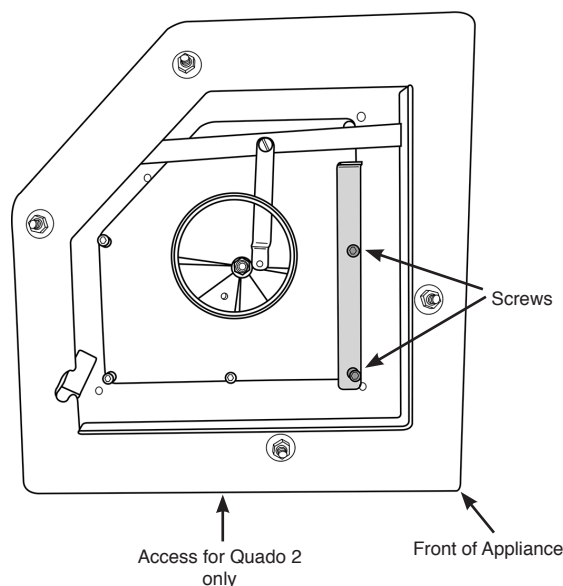
### All Models

Fully open the air vent control by moving the slider to the left.

From the underside of the firebox loosen the 2 screws, indicated in the diagram, using a 5mm hex key.



Slide the cutouts on the Smoke Control Stop onto the screws, ensuring that the tab is towards the back of the appliance and facing down.

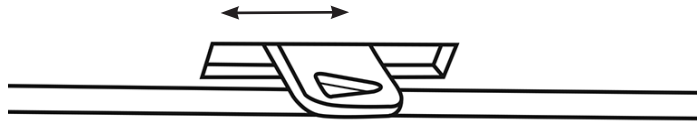


Tighten the screws to secure the Smoke Control Stop.

The new Smoke Control Stop will now restrict the movement of the air control in order to comply with Smoke Control Regulations.

An appliance modified for Smoke Control can be recognised in the following manner:

The **air vent** control has restricted movement and will only close halfway.



For appliances that have not been fitted with the Smoke Control kit the **air vent** control can be shut down completely.



The Air Control on appliances modified for Smoke Control cannot shut down completely.



# The Clean Air Act 1993 and Smoke Control Areas

Under the Clean Air Act local authorities may declare the whole or part of the district of the authority to be a smoke control area. It is an offence to emit smoke from a chimney of a building, from a furnace or from any fixed boiler if located in a designated smoke control area. It is also an offence to acquire an “unauthorised fuel” for use within a smoke control area unless it is used in an “exempt” appliance (“exempted” from the controls which generally apply in the smoke control area).

The Secretary of State for Environment, Food and Rural Affairs has powers under the Act to authorise smokeless fuels or exempt appliances for use in smoke control areas in England. In Scotland and Wales this power rests with Ministers in the devolved administrations for those countries. Separate legislation, the Clean Air (Northern Ireland) Order 1981, applies in Northern Ireland. Therefore it is a requirement that fuels burnt or obtained for use in smoke control areas have been “authorised” in Regulations and that appliances used to burn solid fuel in those areas (other than “authorised” fuels) have been exempted by an Order made and signed by the Secretary of State or Minister in the devolved administrations.

Further information on the requirements of the Clean Air Act can be found here: <http://smokecontrol.defra.gov.uk/>

Your local authority is responsible for implementing the Clean Air Act 1993 including designation and supervision of smoke control areas and you can contact them for details of Clean Air Act requirements”

The Nordpeis Quadro 1 (NP-QUAD1P) - Nordpeis Quadro 2 (NP-QUAD2B) - Nordpeis S-31A Insert (S-31A) have been recommended as suitable for use in smoke control areas when burning dry wood logs when suitable permanent stops have been fitted and when operated in accordance with the manufacturer’s instructions.

**Nordpeis**

United Kingdom and Eire distributors of Nordpeis

**STOVAX**

Stovax Ltd, Falcon Road, Sowton Industrial Estate, Exeter, Devon, England EX2 7LF

Tel: (01392) 474011 Fax: (01392) 219932

E-mail: [info@stovax.com](mailto:info@stovax.com) [www.nordpeis.co.uk](http://www.nordpeis.co.uk)

E & O E