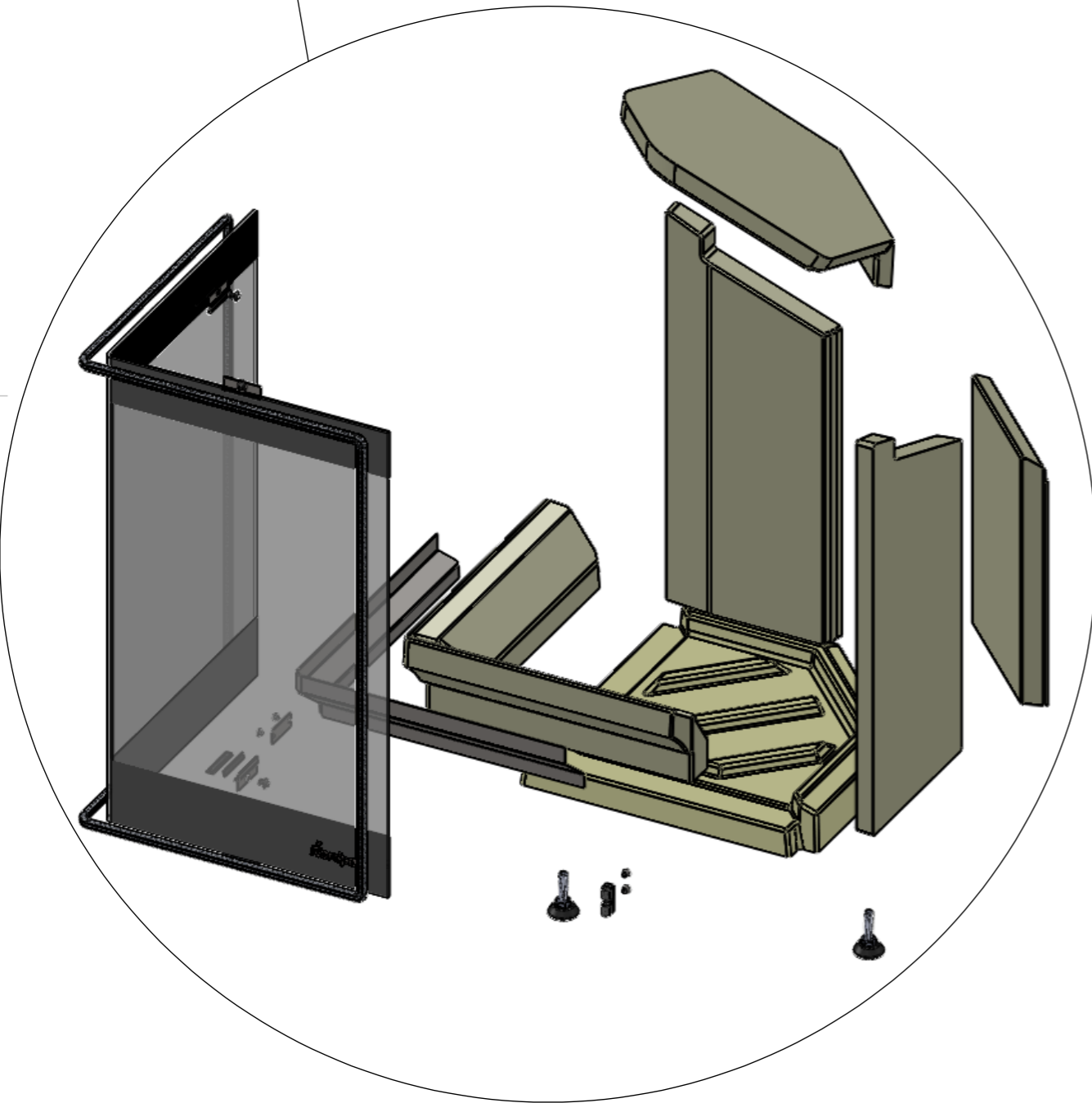
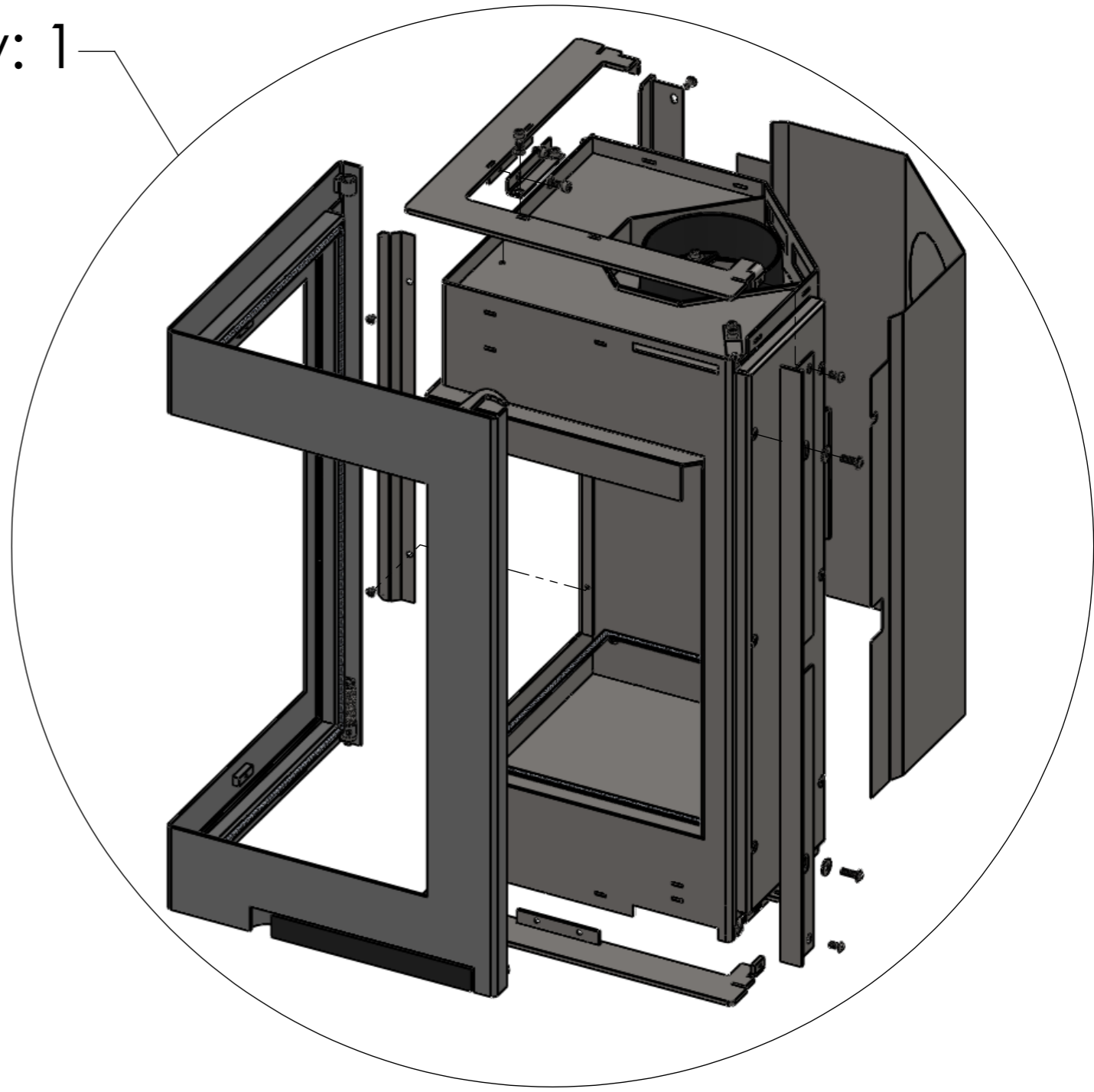


This document is Nordpeis (Nordpeis Sp. z o.o.) exclusive intellectual property. It must be treated as strictly confidential and must not be copied or communicated to any third person without Nordpeis (Nordpeis Sp. z o.o.) written permission

View: 2

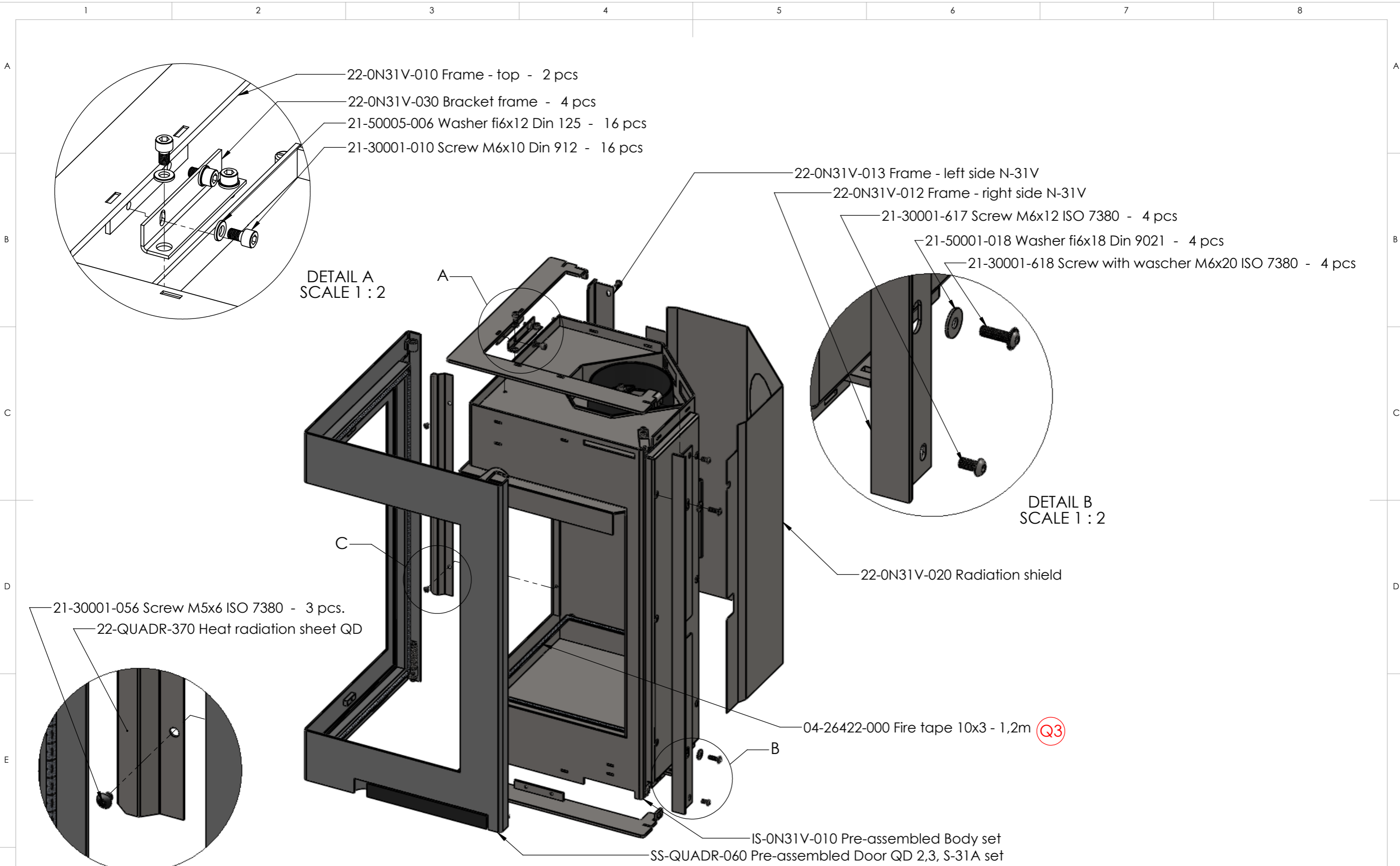


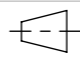

View: 1



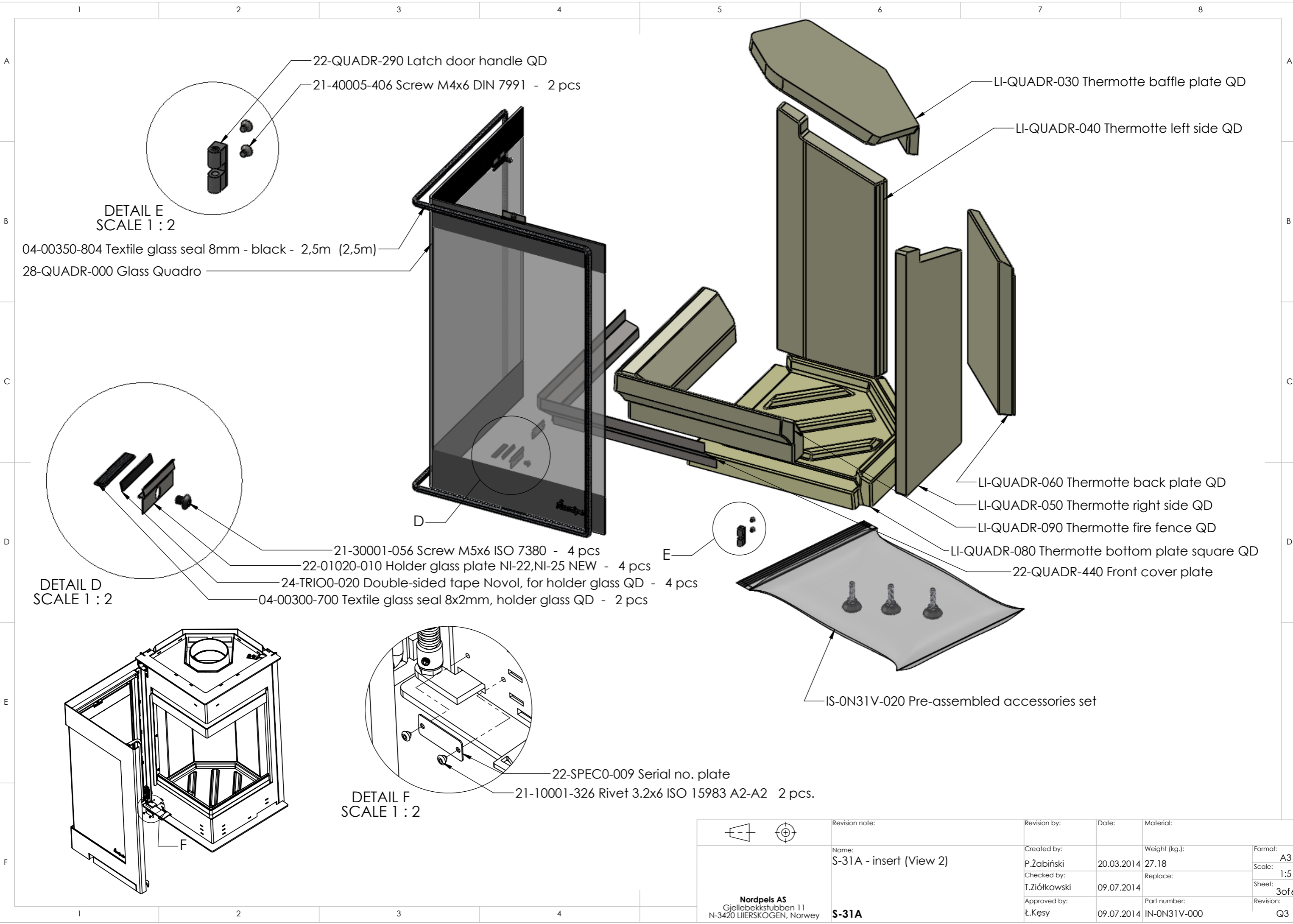
	Revision note: Add fire tape 10x3mm. into combustion chamber, between the bottom Thermote and the body	Revision by: P.Żabiński	Date: 09.07.2014	Material:	
	Name: S-31A - insert (View 1,2)	Created by: P.Żabiński	20.03.2014	Weight (kg.): 79.60	Format: A3
Nordpeis AS Gjellebekkstubben 11 N-3420 LIERSKOGEN, Norway	S-31A	Checked by: T.Ziótkowski	09.07.2014	Replace:	Scale: 1:6
		Approved by: Ł.Kęsy	09.07.2014	Part number: IN-ON31V-000	Sheet: 1 of 6
					Revision: Q3

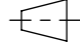

This document is Nordpeis (Nordpeis Sp. z o.o.) exclusive intellectual property. It must be treated as strictly confidential and must not be copied or communicated to any third person without Nordpeis (Nordpeis Sp. z o.o.) written permission



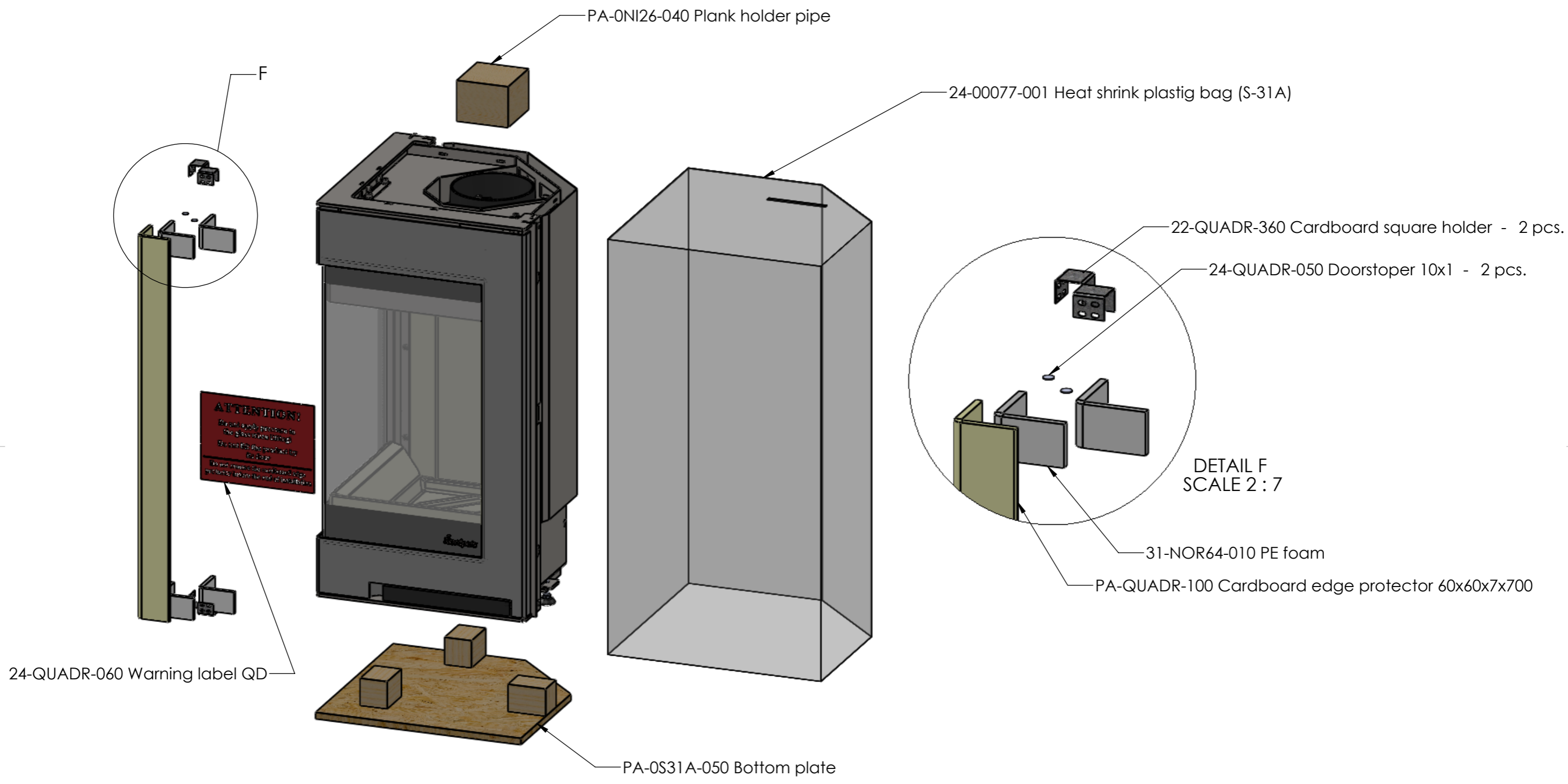
 	Revision note: Add fire tape 10x3mm. into combustion chamber, between the bottom Thermote and the body	Revision by: P.Żabiński	Date: 09.07.2014	Material:
	Name: S-31A - insert (View 1)	Created by: P.Żabiński	20.03.2014	Weight (kg.): 56.15
Nordpeis AS Gjellebekkstubben 11 N-3420 LIERSKOGEN, Norway	S-31A	Checked by: T.Ziótkowski	09.07.2014	Replace:
		Approved by: Ł.Keşy	09.07.2014	Part number: IN-0N31V-000
				Format: A3
				Scale: 1:6
				Sheet: 2 of 6
				Revision: Q3

This document is Nordpeis (Nordpeis Sp. z o.o.) exclusive intellectual property. It must be treated as strictly confidential and must not be copied or communicated to any third person without Nordpeis (Nordpeis Sp. z o.o.) written permission.



 	Revision note:	Revision by:	Date:	Material:	
	Name: S-31A - insert (View 2)	Created by: P.Żabiński	20.03.2014	Weight (kg.): 27.18	Format: A3
Nordpeis AS Gjellebekkstubben 11 N-3420 LIERSKOGEN, Norway		Checked by: T.Ziótkowski	09.07.2014	Replace:	Scale: 1:5
	S-31A	Approved by: Ł.Keşy	09.07.2014	Part number: IN-ON31V-000	Sheet: 3 of 6
					Revision: Q3

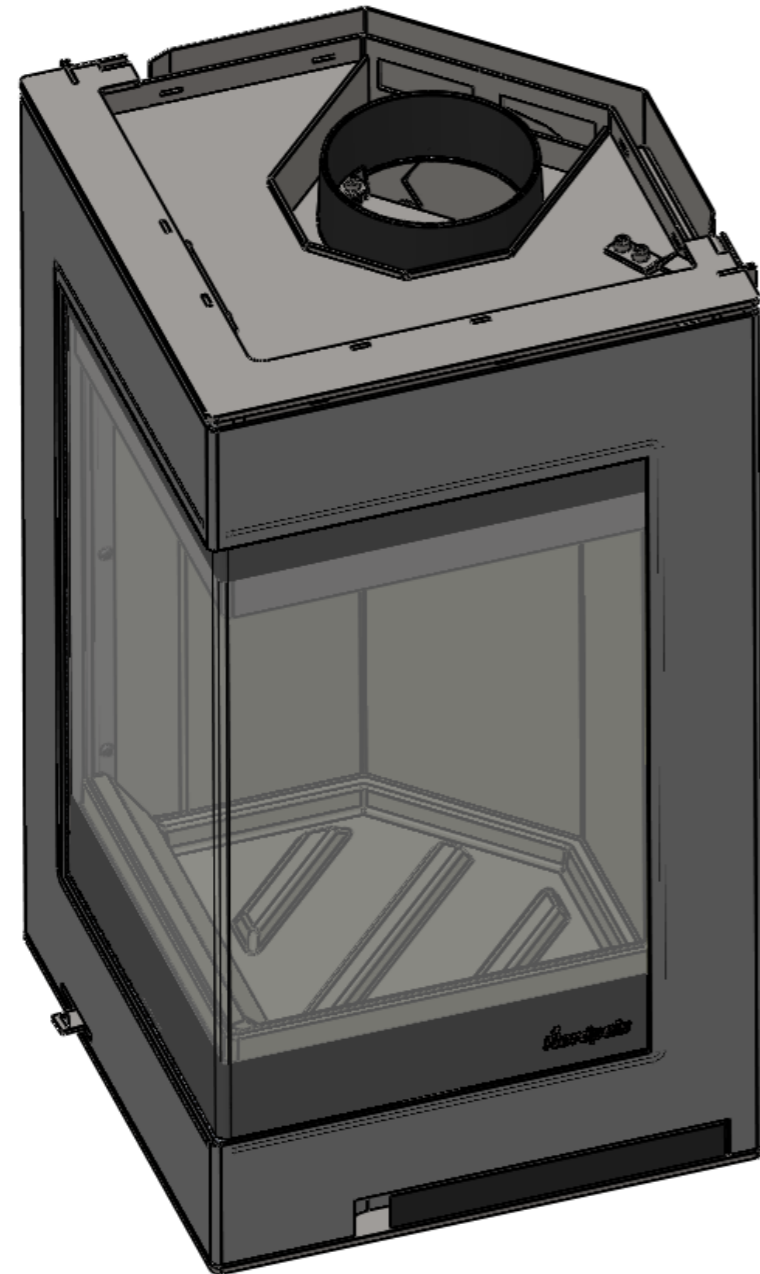
This document is Nordpeis (Nordpeis Sp. z o.o.) exclusive intellectual property. It must be treated as strictly confidential and must not be copied or communicated to any third person without Nordpeis (Nordpeis Sp. z o.o.) written permission.



DRY PACK 24-X0005-AXX - 2pcs

	Revision note:	Revision by:	Date:	Material:	
	Name: S-31A - insert (Packaging)	Created by: P.Żabiński	20.03.2014	Weight (kg.): 83.49	Format: A3
		Checked by: T.Ziótkowski	09.07.2014	Replace:	Scale: 1:7
	Nordpeis AS Gjellebekkstubben 11 N-3420 LIERSKOGEN, Norway	Approved by: Ł.Keşy	09.07.2014	Part number: IN-ON31V-000	Sheet: 4 of 6
	S-31A			Revision: Q3	

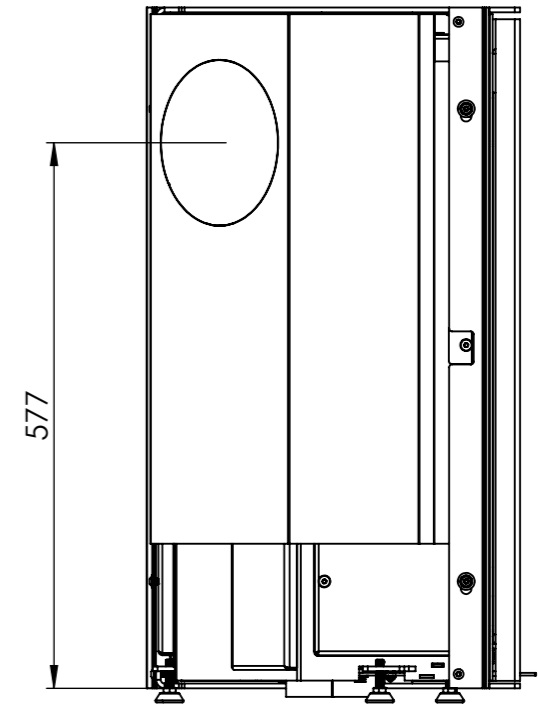
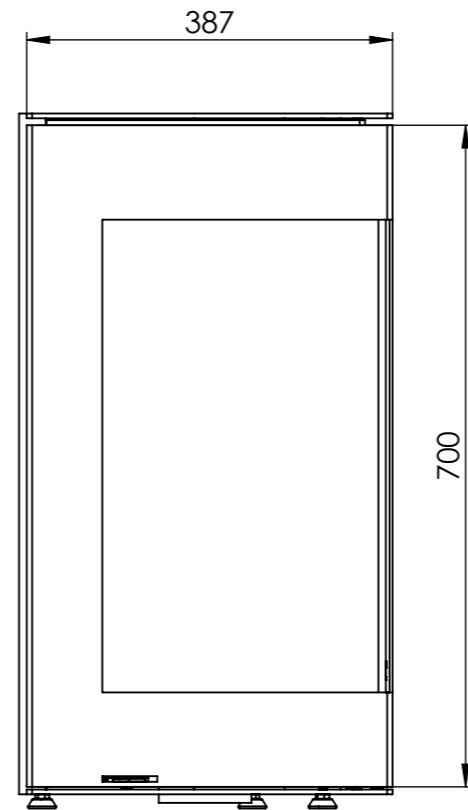
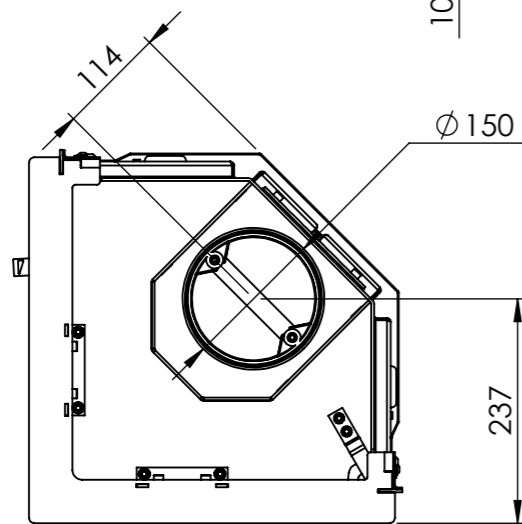
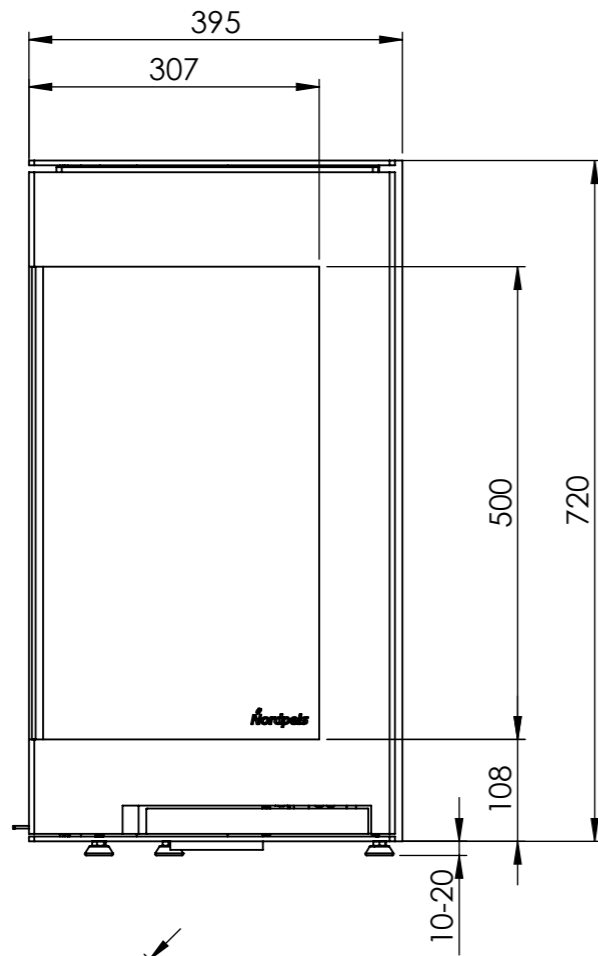
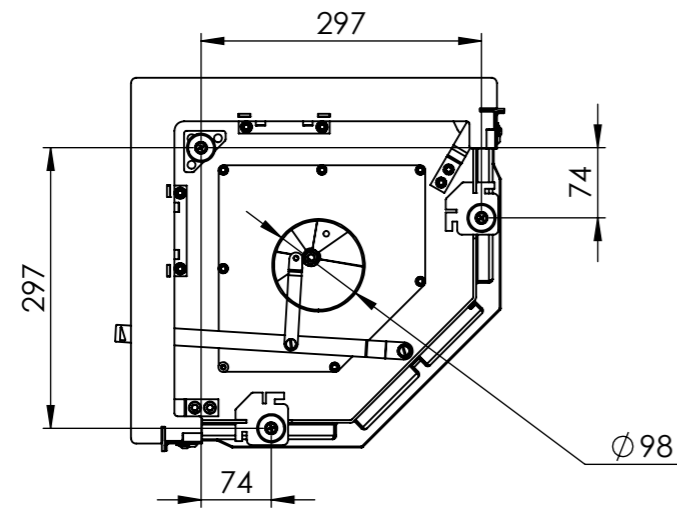
This document is Nordpeis (Nordpeis Sp. z o.o.) exclusive intellectual property. It must be treated as strictly confidential and must not be copied or communicated to any third person without Nordpeis (Nordpeis Sp. z o.o.) written permission




NUMBER	ELEMENT	MATERIAL	MATERIAL THICKNESS	QUANTITY	QUANTITY (view 2)	QUANTITY (view 1)	UNIT	REMARK
34	04-26422-000 Fire tape 10x3, body_bottom QD	Fire tape		1	-	1	pcs	
33	21-10001-326 Rivet 3.2x6 ISO 15983 A2-A2			2	2	-	pcs	
32	IS-ON31V-020 Pre-assembled accessories set			-	1	-	pcs	
31	22-SPEC0-009 Serial no. plate	Stainless steel grinding		1	1	-	pcs	
30	22-QUADR-440 Front cover plate	Carbon steel		1	1	-	pcs	
29	21-30001-056 Screw M5x6 ISO 7380			7	4	3	pcs	
28	SS-QUADR-060 Pre-assembled Door QD 2,3 set			1	-	1	pcs	
27	04-00300-700 Textile glass seal 8x2mm, holder glass QD	Fire tape		2	2	-	pcs	
26	22-QUADR-290 Latch door handle QD			-	1	-	pcs	
25	21-50001-018 Washer fi6x18 Din 9021			4	-	4	pcs	
24	24-TRIO0-020 Double-sided tape Noval	Double-sided tape		4	4	-	pcs	
23	22-01020-010 Holder glass plate NI-22,NI-25 NEW	EN 10088-1 X5CrNi18-10		4	4	-	pcs	
22	LI-QUADR-050 Thermotte right side QD	Thermotte		1	1	-	pcs	
21	LI-QUADR-030 Thermotte baffle plate QD	Thermotte		1	1	-	pcs	
20	LI-QUADR-040 Thermotte left side QD	Thermotte		1	1	-	pcs	
19	LI-QUADR-060 Thermotte back plate QD	Thermotte		1	1	-	pcs	
18	LI-QUADR-090 Thermotte fire fence QD	Thermotte		1	1	-	pcs	
17	LI-QUADR-080 Thermotte bottom plate square QD	Thermotte		1	1	-	pcs	
16	IS-ON31V-020 Pre-assembled accessories set			1	-	-	pcs	
15	21-40005-406 Screw M4x6 DIN 7991			2	2	-	pcs	
14	22-QUADR-290 Latch door handle QD			1	-	-	pcs	
13	28-QUADR-000 Glass Quadro	Ceramic glass		1	1	-	pcs	
12	04-00350-804 Textile glass seal 8mm - black, glass QD	Fire tape		1	1	-	mb	
11	21-30001-618 Screw with wascher M6x20 ISO 7380	Stainless steel		4	-	4	pcs	
10	21-30001-010 Screw M6x10 Din 912			16	-	16	pcs	
9	21-50005-006 Washer fi6x12 Din 125			16	-	16	pcs	
8	21-30001-617 Screw M6x12 ISO 7380			4	-	4	pcs	
7	22-ON31V-020 Radiation shield	Carbon steel		1	-	1	pcs	
6	22-QUADR-370 Heat radiation sheet QD	Stainless steel		1	-	1	pcs	
5	22-ON31V-013 Frame - left side N-31V			1	-	1	pcs	
4	22-ON31V-012 Frame - right side N-31V			1	-	1	pcs	
3	22-ON31V-010 Frame - top			2	-	2	pcs	
2	22-ON31V-030 Bracket frame	Carbon steel		4	-	4	pcs	
1	IS-ON31V-010 Pre-assembled Body set			1	-	1	pcs	

	Revision note: Add position no.34, fire tape 10x3mm - 1,2m	Revision by: P.Żabiński	Date: 09.07.2014	Material:	
	Name: S-31A - insert (Part list)	Created by: P.Żabiński	Date: 20.03.2014	Weight (kg.): 79.60	Format: A3
<p>Nordpeis AS Gjellebekkstubben 11 N-3420 LIERSKOGEN, Norway</p>	<p>S-31A</p>	Checked by: T.Ziótkowski	Date: 09.07.2014	Replace:	Scale: 1:5
		Approved by: Ł.Kęsy	Date: 09.07.2014	Part number: IN-ON31V-000	Sheet: 5 of 6
					Revision: Q3

This document is Nordpeis (Nordpeis Sp. z o.o.) exclusive intellectual property. It must be treated as strictly confidential and must not be copied or communicated to any third person without Nordpeis (Nordpeis Sp. z o.o.) written permission



 Nordpeis AS Gjellebekkstubben 11 N-3420 LIERSKOGEN, Norway	Revision note: Name: S-31A - insert (Dimension) S-31A	Revision by: P.Żabiński Checked by: T.Ziótkowski Approved by: Ł.Kęsy	Date: 20.03.2014 09.07.2014 09.07.2014	Material: Weight (kg.): 79.60 Replace: Part number: IN-ON31V-000	Format: A3 Scale: 1:8 Sheet: 6 of 6 Revision: Q3